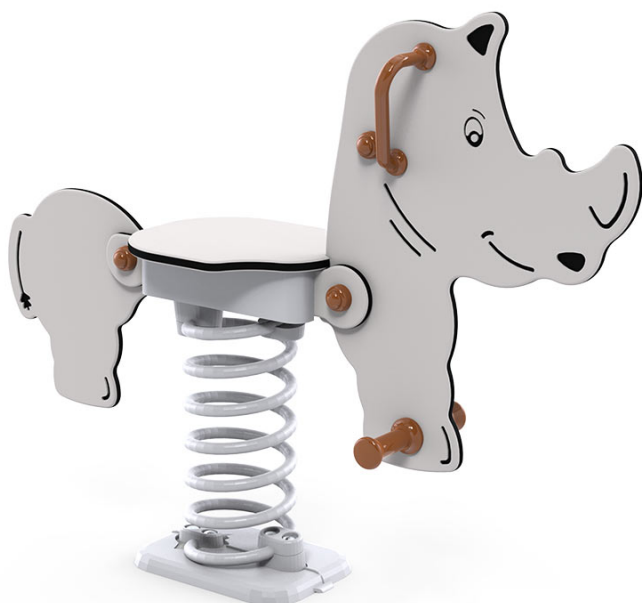


EX012 Rhino

Printed: 2023-12-05
www.ledonplay.com/product/ex012



-  **Made in Denmark**
-  **Developed with children**
-  **Low-maintenance**
-  **Sustainable materials**
-  **Fully certified**

The savannah has its very own springers

LEDON Explore has many springers on the savannah. The springers can withstand even the most enthusiastic cowboys or hunters! The series includes equipment for children large and small, and even the most energetic are well catered for. Whether you choose the tiger, the giraffe, the zebra or something quite different.

Springers are fun and healthy

It's fun to rock, but it's also important. Keeping a springer rocking exercises the whole body. This physical exercise is very healthy, but it also benefits a child's proprioception. Rocking back and forth gives the child a strong sense of cause and effect, while at the same time stimulating the vestibular sense, which strengthens balance and learning. None of the springers in the LEDON Explore series requires special maintenance, and they are designed with non-slip seats. The ergonomic nylon handles minimise the risk of eye and dental injuries, while also ensuring that small fingers do not stick to the surfaces in freezing weather.

Why choose LEDON Explore?

- Low-maintenance play equipment in natural colours.
- In particular, it challenges and stimulates children's social skills, motor skills and balance.
- The play systems come in a wide range of sizes and price classes to suit every need.
- A theme world that arouses children's natural interest in experiencing and exploring the world.
- The largest theme world with many different items of play equipment for the entire playground.

Specifications

Article number

EX012G: In-ground mounting
EX012C: Surface mounting

Recommended ages

From 2 years

Product dimensions (LxWxH)

110 x 28 x 85 cm

Area requirement incl. safety distances (LxW)

351 x 228 cm


Max. fall height

50 cm

Recommended ages

1 person 1 hour

Other details

-  This product can be installed directly on grass without additional fall protection

Click here to see more about the product on our website:
www.ledonplay.com/product/ex012



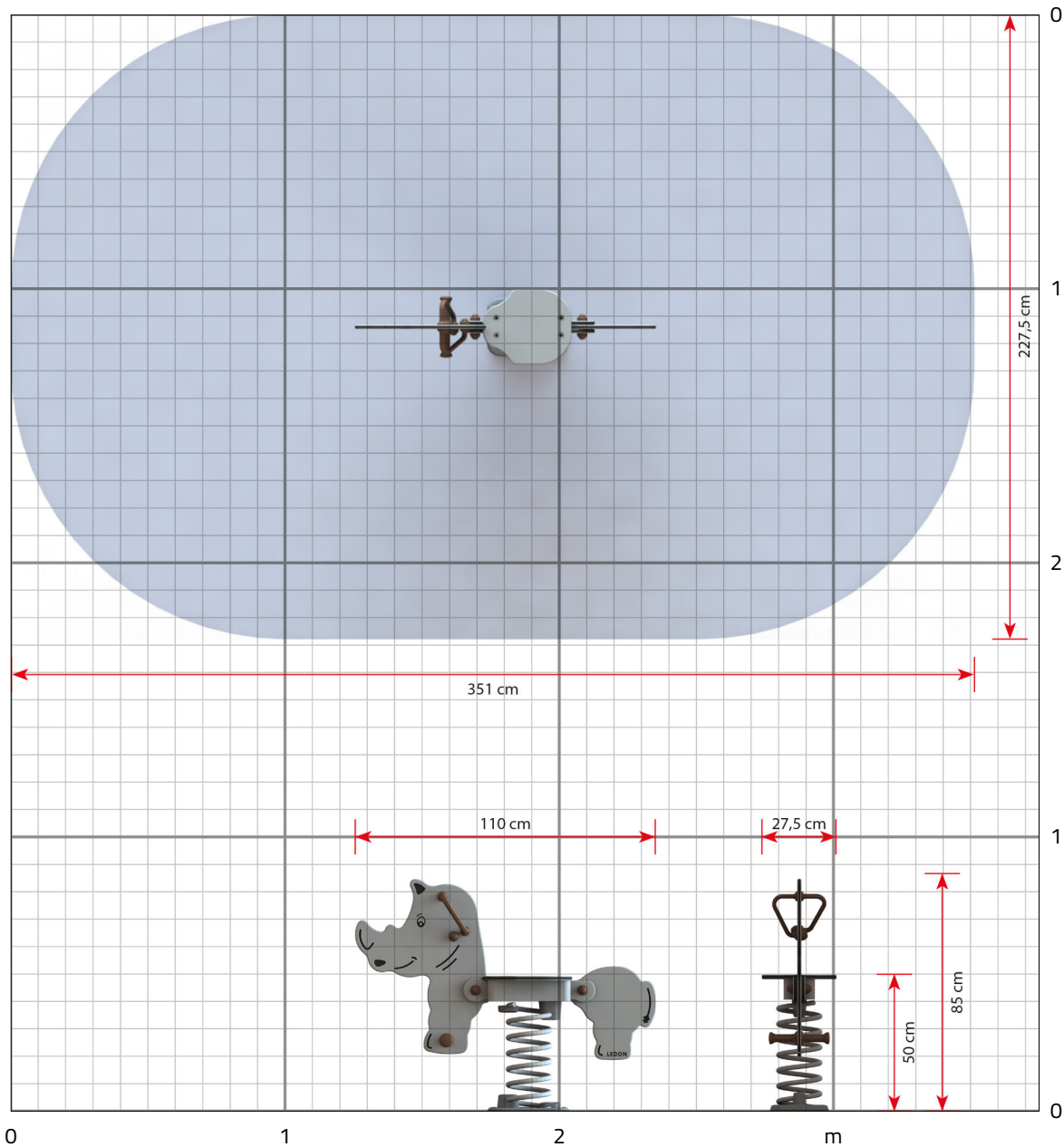
Phone: +45 7482 6565
info@ledonplay.com, www.ledonplay.com

Production / administration:
Vestergade 25, DK-6510 Gram

Sales / marketing / product development:
Nordkajen 21, DK-6000 Kolding

EX012 Rhino

Scale 1:25
(when printed at 100%)



Made in Denmark
[Read more](#)



Developed with children
[Read more](#)



Low-maintenance
[Read more](#)



Fully certified
[Read more](#)



Phone: +45 7482 6565
info@ledonplay.com, www.ledonplay.com

Production / administration:
Vestergade 25, DK-6510 Gram

Sales / marketing / product development:
Nordkajen 21, DK-6000 Kolding